



Product Description

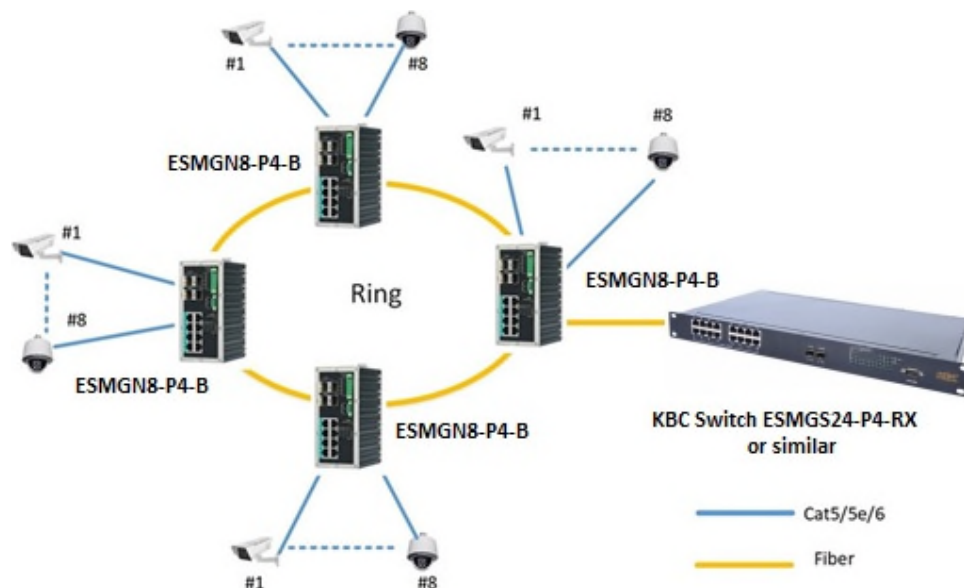
The KBC ESMGN8-P4-B series is a high performance 12 port, industrial, managed gigabit switch with eight 10/100/1000M ports and four gigabit SFP ports. The switch supports Ethernet Ring Protection Switching (ERPS) as well as STP/RSTP/MSTP. It also supports Web-based network management, VLAN, QoS, SNMP, IGMP snooping and other network functions. LED indicators provide the connection status when using SFP option. Rugged design with IP40 enclosure and industrial level 3 protection makes it suitable for a lot of application such as Intelligent Transportation System, IP surveillance applications and industrial networks. The product is available for DIN or wall-mount configurations.



Product Features

- 8* 10/100/1000Base-T Ethernet ports
- 4* 1000BASE-X SFP ports
- EPRS (typical recovery time < 30ms over 250 units of connection)
- Different redundancy protocols and standards STP / RSTP / MSTP
- SNMPv1/v2c/v3 & RMON & Port base/802.1Q VLAN network management
- WEB, Telnet, SSH, Console (CLI)
- Open and close port, binding MAC and port
- 802.1x network access control
- 802.1Q protocol, Isolate network flow
- Radius Centralized password management
- IGMP Snooping multicast function
- Overload current protection and reverse polarity protection
- LED displays connection status when using SFP
- IP40 enclosure protection
- Unique DIN mount design makes mount and removal easy

Typical System Configuration



Specifications

Standards

IEEE Ethernet Standards IEEE 802.3, IEEE 802.3u, IEEE 802.3ab, IEEE 802.3z, IEEE 802.3x, IEEE 802.3ad, IEEE 802.3az, IEEE 802.1d, IEEE 802.1p, IEEE 802.1q, IEEE 802.1w, IEEE 802.1s, IEEE 802.1x

Protocols

ERPS/STP/RSTP/MSTP, SNTP, 1588 PTP Client, DHCP Server/Client, MVR, IGMP v1/v2, GMRP, GVRP, SNMP v1/v2c/v3, TFTP, RMON, RARP, HTTP, HTTPS, Telnet, SSH, Syslog LLDP, IPv6, NTP Server/Client

Ports

10/100/1000MBase-T 8
1000MBase-X SFP (1) 4

Warning & Monitoring

Relay output for fault event alarming
Syslog to record and view events
Event selection support

Switch Performance

Architecture Store-and-forward
Bandwidth 24Gbps
Buffer 4M
Mac Address Table 8192

Relay Output

1A@24VDC NC or NO

Power (2)

Redundant Power Input 12 - 24Vdc
Power Consumption < 10W
Overload Current Protection Yes
Reverse polarity protection Yes

Management

Port configuration Port enable/disable; Port rate settings; Full-duplex mode; Flow control;
VLAN 4K VLAN; Port-based VLAN; 802.1Q VLAN protocol
Multicasting SNMP V1/V2/V3 protocols; IGMP Snooping
IGMP multicast group:1024

Environmental

Operating Temperature -40° ~ +75°C
Storage Temperature -40° ~ +85°C
Operating Humidity 5% to 95% non-condensing

Console Port

USB (115200-8-N-1)

Mechanical

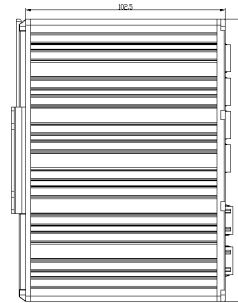
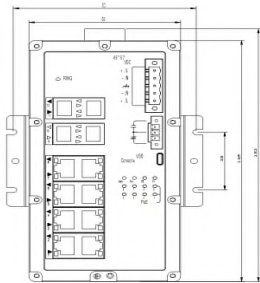
Enclosure IP40
Dimension (WxDxH) 68mm x 102.5mm x 146mm
Weight 0.9kg

Security Feature

Enable/disable ports;
MAC based port security;
Port based network access control (802.1x); VLAN (802.1Q);
Radius centralized password Management;
SNMP v1/v2c/v3 encrypted authentication and access security

Protection

Surge 6KV, IEC61000-4-5
ESD Level 4: IEC61000-4-2
RS Level 3: IEC61000-4-3
EFT Level 4: IEC61000-4-4
CS Level 3: IEC61000-4-6



Order Information

ESMBN8-P4-B: Managed, 8*10/100/1000 Base-T, 4 Gigabit SFP

- SFP module sold separately
- Please select the power plug from US Standard, Euro 2 Circular or UK 3 Pin square or Australian when placing order.

Due to ongoing technological improvements, product specifications are subject to change without notice. KBC is not liable for any errors, omissions or changes of any description of the goods contained herein. This information is for the sole purpose of identifying the products and KBC makes no warranty that the products conform to any description contained herein. Do not rely solely on any representations, statements, or assertions concerning these Products contained herein.