



## Product Description

The KBC **eCopper™** line of products offer a cost-effective way to connect the latest IP cameras using existing coax or copper (UTP) wiring to a remote monitoring station. In addition to saving costs and time from cabling infrastructure upgrades to CAT5/5e/6, **eCopper™** powers both its transmitter and remote cameras, eliminating the need for any additional power source at the camera site. **eCopper™** also extends the IP camera cable run distance from 100 to 300 meters, making it ideal for upgrading analog to IP cameras and other systems in large corporate buildings, retail, casinos, banks, prisons, stadiums and other applications.

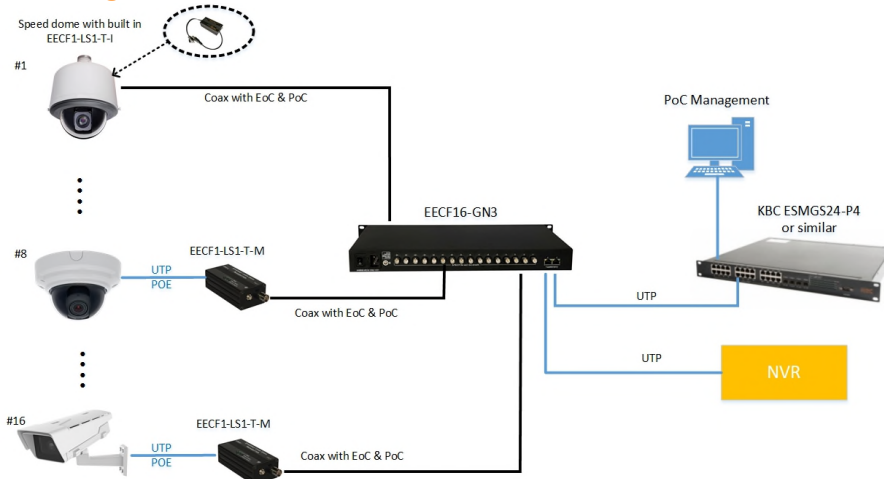


The EECF16-GN3-R is an Ethernet over Coax (EoC) receiver with 16 coax ports with Power Over Coax (PoC) and 3\*10/100/1000M Ethernet ports. This receiver provides connectivity up to 16 units PoC/PoE version EECF1-LS1-T-MN-B transmitter. Power is supplied to the transmitter through the coaxial cable. Varying data rates are supported depending on cable distance and quality. This product also provides PoC management which allows the operator to remotely switch power on or off to any of the coax channels. Plug-and-play design ensures ease of installation with no electrical adjustment needed. LED indicators are provided to show the operational status of the unit clearly. This receiver is available in 1U rack configuration.

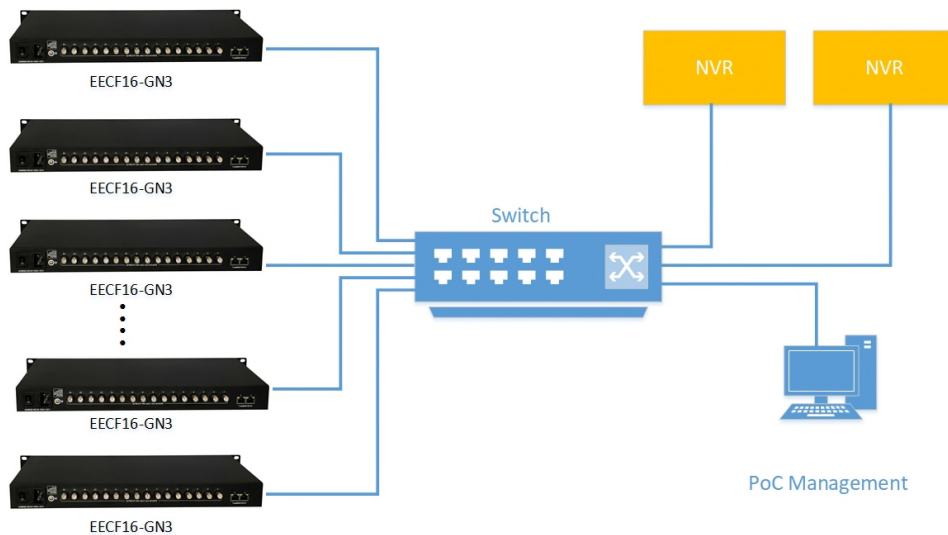
## Product Features

- 16 coax ports with PoC
- 3 \*10/100/1000M Ethernet ports (1 at the front and 2 at the back)
- PoC management
- Connect up to 16 units EECF1-LS1-T-IN-B or EECF1-LS1-T-MN-B or any combination
- Coax data rate >50Mbps (300m)
- PoE+ is supported up to 300m based on coax quality and applied voltage to coax (48~57VDC)
- Over current and short circuit protection
- Unique PoC transmission protection design so that no power is output when transmitter end is not connected

## Typical System Configuration



Typical Connection between Camera end and head end



Typical application in head end

## Specifications

### Standards

IEEE Standard	IEEE 802.3 10BASE-T IEEE 802.3u 100BASE-TX IEEE802.3ab 1000Base-T
---------------	---

### LAN Port

No of Ports	3
Data Rate	10/100/1000Mbps auto-sensing Half & full duplex

### Coax Port

No of Ports	16
Cable	Coaxial Cable (75Ω)
Data Rate <sup>(1)</sup>	>50Mbps (300m)
Maximum PoE Distance <sup>(2)</sup>	700m
Maximum PoE+ Distance <sup>(2)</sup>	300m

### PoC Management

Individual channel status LEDs	
Individual channel PoC on/off	

### Power

Power Input	100-240Vac input
Power Consumption	≤500W

### Environmental

Operating Temperature	-20° ~ +70°C
Storage Temperature	-40° ~ +85°C
Operating Humidity	0 to 95% non-condensing
Mean Time Between Failure (MTBF)	> 100,000 Hours

### Mechanical

Dimensions (L x W x H)	482mm x 290mm x 44mm
------------------------	----------------------

### Connectors

Ethernet	RJ45
Coax	BNC
Power	IEC

### Protection

Surge	Coax: 6kV
-------	-----------

## Part Number Configurator

EECF16-GN3-R-RX-B

A: US Power Plug  
B: UK Power Plug  
C: Euro Power Plug  
E: Australian Power Plug  
F: Chinese Power Plug

(1) The data is based on RG59 and is related with coax quality

(2) The data is based on the RG59 test and it is related to coax quality and applied voltage(48~57VDC) to coax.

*Due to ongoing technological improvements, product specifications are subject to change without notice. KBC is not liable for any errors, omissions or changes of any description of the goods contained herein. This information is for the sole purpose of identifying the products and KBC makes no warranty that the products conform to any description contained herein. Do not rely solely on any representations, statements, or assertions concerning these Products contained herein.*