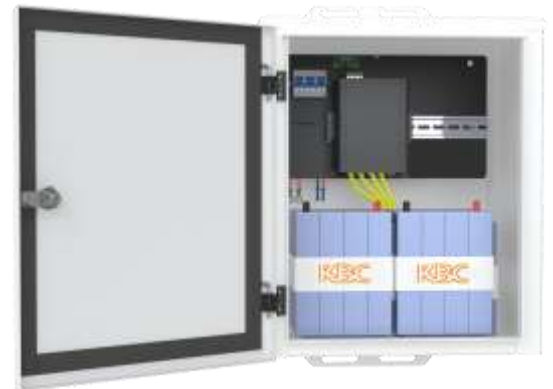


Outdoor UPS Backup “Nighttime Charging” Kits

Reliable 24/7 power designed for PoE/PoE+/HPoE powered security equipment where AC power is available only at night

Product Description

The challenge of needing to mount surveillance equipment in remote locations where network cannot be established using traditional methods has been a niche for which KBC has provided solutions for over 25 years. Many of those same applications also lack available and constant power. Light pole power is often unavailable when the lights are off. A clean, easy and affordable alternative is an engineered UPS power kit that is specifically designed to support all the devices needing power. Once batteries are installed, all the other needed components are built in and ready to go for the electrician to wire in high voltage to charge the battery bank at night. The equipment load powers via battery operation during the daytime hours until the lights come on again in the evening to begin the battery re-charge process.



Product Features

- Fully assembled power kits ready to apply batteries and mount.
- Back plate with DIN Rail provided to mount additional equipment.
- AC to DC Battery Charger included and integrated; compatible with sealed lead acid or lithium iron phosphate batteries.
- Two different sizes of lockable enclosures available; Supports up to several days of stored power (variable based on power draw and battery bank installed).

Included in the Kits

- Battery enclosure with integrated charger and other power assembly components
- DC low voltage output

Part Numbers

Kit Model No.	Input	Output	Battery wiring	Battery Space (in)	Fits*
KBC-UAL2-12	100-240VAC	12VDC	One 12V or two 12V in parallel	12.5 d x 13.5 w x 9.5 h	2x 100AH
KBC-UAL2-24	100-240VAC	24VDC	Two 12V in series	12.5 d x 13.5 w x 9.5 h	2x 100AH
KBC-UAL2-48	100-240VAC	48VDC	Four 12V in series	12.5 d x 13.5 w x 9.5 h	4x 50AH
KBC-UAL5-12	100-240VAC	12VDC	One 12V or two 12V in parallel	12.5 d x 13.5 w x 9.5 h	2x 250AH
KBC-UAL5-24	100-240VAC	24VDC	Two 12V in series	13 d x 21 w x 19 h	2x 250AH
KBC-UAL5-48	100-240VAC	48VDC	Four 12V in series	12.5 d x 13.5 w x 9.5 h	4x 100AH

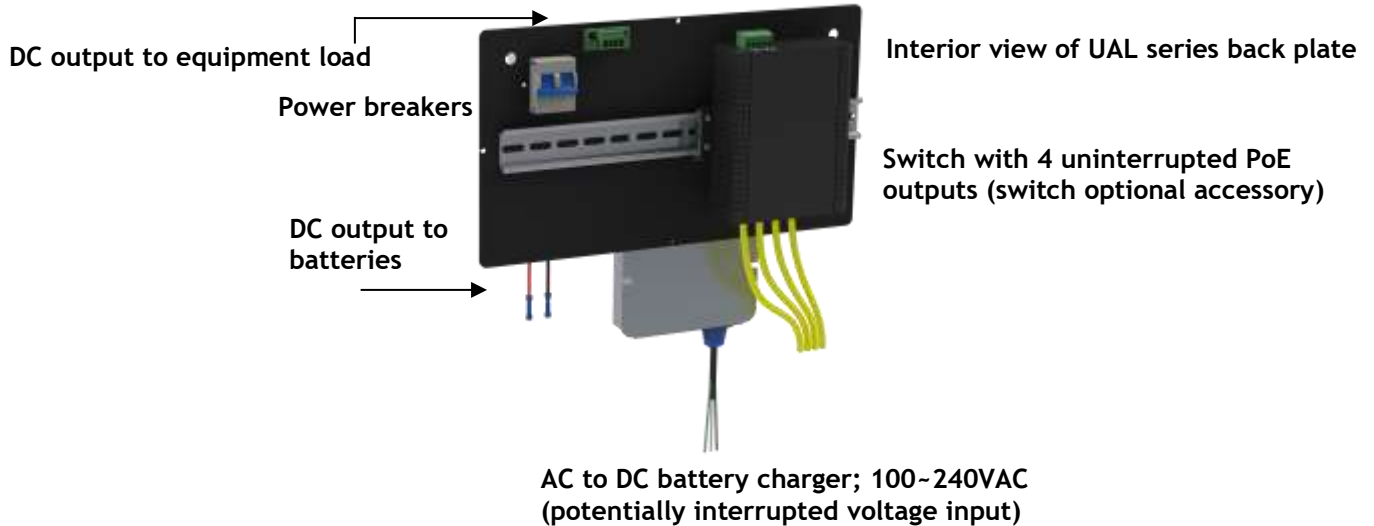
*Most battery manufacturer’s sealed lead acid battery; refer to dimensions of your chosen battery to ensure that it/they will fit within capacity dimensions shown. Enclosure will also fit and operate lithium iron phosphate batteries (typically equivalent amp hour spec).

Specifications

	KBC-UAL2-12	KBC-UAL2-24	KBC-UAL2-48	KBC-UAL5-12	KBC-UAL5-24	KBC-UAL5-48
Enclosure						
Interior dimensions	H: 21.5 in x W: 16 in x D: 13 in; 54.61 cm x 40.64 cm x 33.02 cm			H: 30 in x W: 22 in x D: 13 in; 76.2 cm x 55.88 cm x 33.02 cm		
Material	Powder coated aluminum					
Weight	13 lbs; 5.9 Kg			33 lbs; 14.97 Kg		
Mounting system	Integrated pole/wall mounting system (included)					
Lockable	Lockable by pad lock (not supplied)					
Space for batteries	H: 9.5 in x W: 13.5 in x D: 12.5 in; 31.75 cm x 34.29 cm x 24.13 cm			H: 19 in x W: 21 in x D: 13 in; 48.26 cm x 53.34 cm x 33.02 cm		
Power Assembly						
Battery Charger	12, 24 or 48VDC @ 24 Amp, with pre-installed advanced charge algorithm					
AC voltage input	100-240VAC (step down if power input is >256V)					
Power output*	12VDC	24VDC	48VDC	12VDC	24VDC	48VDC
Mounting surface	The power assembly is pre-mounted to a back plate which also provides DIN Rail to mount additional accessories and other equipment					
Operating temp	-40° ~ +60° Celsius / -40° ~ +140° Fahrenheit NOTE: SLA batteries lose up to 50% of stored energy in temperatures lower than 32° F					
Battery Bank						
Included/excluded	Batteries are sold separately					
Battery type	Sealed Lead Acid (SLA) or Lithium Iron Phosphate (LiFePo)					
Batt Capacity, SLA	200 AH			500 AH		
Batt Capacity, Lith	240 AH (equal to ~480AH of SLA)			480 AH (equal to ~960AH of SLA)		
Battery wiring	Parallel	Series	Series, Series	Parallel	Series	Series, Series
Recommended Accessories						
Batteries	12V 100AH Sealed Lead Acid (max two in these kits) KBC-B12100; Lithium Iron Phosphate also available, contact KBC for details					
PoE Switch	To provide 4-ports 802.3af/at (powered via 12-24VDC) ESUGS4-G1-L-B; To provide 8-ports 802.3af/at and fiber uplink: ESUGS8-P2-L-B					
Hardened Injectors	To provide passive 24vdc PoE: KBC-VE-DC/DC-24; to provide 48V 802.3af PoE: KBC-DC/DC-48M; to provide HPoE: KBC-DC/DC-1256P-70W					
Inverter	Inverters are not recommended as power becomes less efficient when converted DC to AC and back to DC with plug-in power supply					

*NOTE: There is no AC or outlet provided - inverters are not recommended.

Typical Set Up



Due to ongoing technological improvements, product specifications are subject to change without notice. KBC is not liable for any errors, omissions or changes of any description of the goods contained herein. This information is for the sole purpose of identifying the products, and KBC makes no warranty that the products conform to any description contained herein. Do not rely solely on any representations, statements, or assertions concerning these Products contained herein.