



Product Description

The KBC MCLS1-P1N series is an industrial 10/100M POE Ethernet media converter(MC) with SFP port. It supports transmission of one channel 10/100Base-T Ethernet over SFP port. By selecting different KBC SFP modules, the media converter can be transmitted via one or two, multimode or single mode optical fibers with full duplex operation. This media converter supports POE/POE+. There is no A end or B end for MCLS1-P1N series, both ends are same for media converter with SFP port. But when inserting 1 fiber version SFP module, two ends should be matched, that means one end is 1310nm/1550nm SFP, the other end is 1550nm/1310nm SFP. This POE media converter MCLS1-P1N series is compatible with non POE 10/100M media converter MCLN1 series. Typically, POE media converter is installed in remote end, in the head end MCLN1 series media converter is installed. Plug-and-play design makes installation straightforward, with no electrical or optical adjustment needed. LED indicators are provided to show the operational status of the unit. Rugged design in both enclosure and electrical protection makes it suit for application in harsh environment.

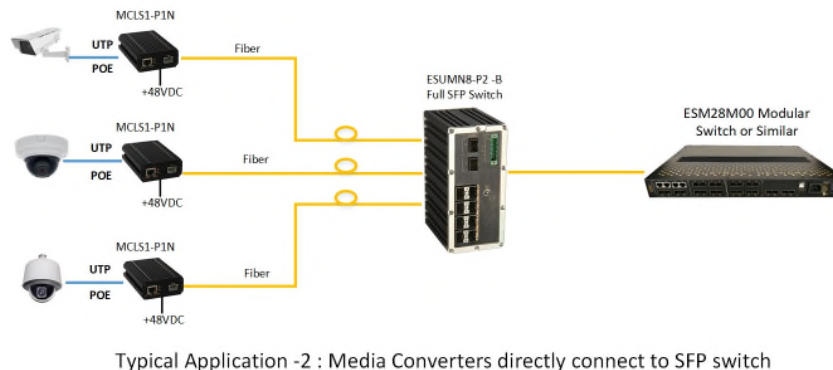
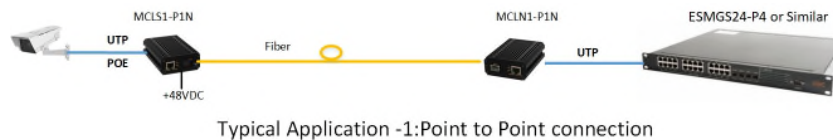
The series is available in wall, DIN, and 2U passive rack FR2-12. Chassis card version in FR2-16 is not available.



Product Features

- 1*10/100M auto sensing port
- 6kV Surge Protection on RJ45 electrical Port
- POE/POE+ support
- 1*100Base-FX SFP port
- Compatible with non POE version 10/100M media converter MCLN1 series
- IP40 enclosure
- Wall and DIN Mount, andFR2-12 passive Rack.

Typical System Configuration



Specifications

Standards

IEEE Standards	IEEE802.3 10Base-TX IEEE802.3u 100Base-TX/FX IEEE802.3af, IEEE802.3at
----------------	---

Electrical

Data Port	1
Data Rate	10/100Mbps Auto-Sensing Half & Full Duplex
Surge Protection	6kV

Optical

100Base-FX SFP Port ⁽¹⁾	1
------------------------------------	---

Power

Power Input	+48 - 57Vdc
Power consumption	<3W (without POE) <33W (with POE)
Power Supply ⁽²⁾	Input: 100 - 240Vac Output: +48Vdc

Environmental

Operating Temperature	-40° ~ +75° C
Storage Temperature	-40° ~ +85° C
Operating Humidity	0 to 95% non-condensing
Mean Time Between Failure (MTBF)	> 100,000 Hours

Enclosure Protection

IP40

Connectors

10/100M Electrical Power ⁽³⁾ Wall Mount/DIN Rail	RJ-45 Screw Block Terminal
--	-------------------------------

Others

Cable LEDs	CAT5 or CAT6, direct or cross cable Connection status data sending & receiving
---------------	--

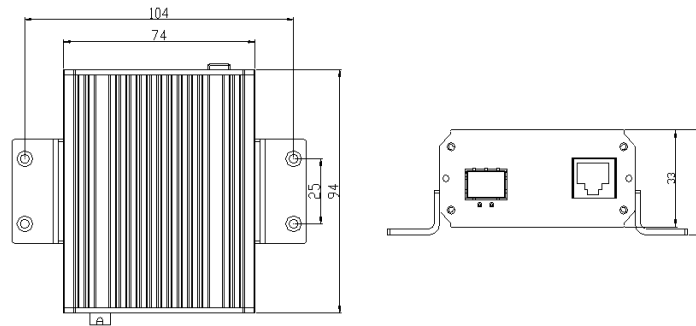
Part Number Configurator

MCLS1-P1N-XNN-B

W: Wall Mount
D: DIN Rail

Dimension

L x W x H 94mm x 74mm x 33 mm



1. SFP module sold separately. Please reference KBC SFP module spec
2. Please select the power plug type when placing order.
3. Power lines are crimped and fitted to screw block connector in factory.

Due to ongoing technological improvements, product specifications are subject to change without notice. KBC is not liable for any errors, omissions or changes of any description of the goods contained herein. This information is for the sole purpose of identifying the products and KBC makes no warranty that the products conform to any description contained herein. Do not rely solely on any representations, statements, or assertions concerning these Products contained herein.