



Product Description

The KBC MCCL1 series is a 10/100 Ethernet media converter. It supports transmission of an Ethernet channel over either one or two, multimode or singlemode optical fibers with full duplex operation. Plug-and-play design makes installation straightforward, with no electrical or optical adjustment needed. LED indicators are provided to show the operational status of the unit.

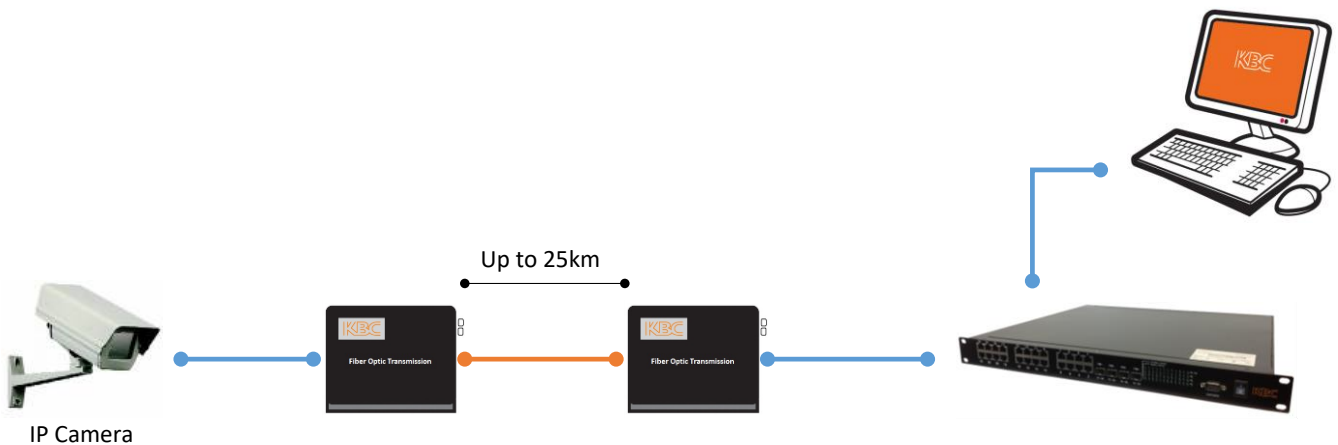
The series is available in a compact, wall-mount unit that also fits within a 2U 19" rack. Up to 16 MCCL1 media converters can be accommodated in a rack.

KBC MCCL1 10/100 media converters are designed for transmission distances up to 4km for multimode fiber and 25km on singlemode fiber. If the media converter is to be connected to an SFP port, please contact us for advice since SFPs can vary in the level at which they saturate.

Product Features

- Compact footprint
- 16 units can be inserted into a 19" rack
- 10/100M auto sensing
- MDI/MDIX
- Multimode and singlemode interfaces
- Single and dual fibers
- Up to 25km on singlemode fiber

Typical System Configuration



- RJ45 patch lead (depends on attached device)
- Multimode or singlemode fiber

Specifications

Standards

IEEE Standards	IEEE802.3 10Base-TX IEEE802.3u 100Base-TX
----------------	--

Data

Data Format	Ethernet
Data Rate	10/100Mbps Auto-Sensing Half & Full Duplex

Optical

Wavelength	1 fiber	1310nm/1550nm
	2 fibers	1310nm
Fiber		Multimode (50/62.5/125μm) or Singlemode (9/125μm)
Number of Fibers		1 or 2
Distance ⁽¹⁾	Multimode	4km
	Singlemode	25km
Optical Budget		15dB

Power

Power Supply ⁽²⁾	+5Vdc, 2W
-----------------------------	-----------

Environmental

Operating Temperature	-10° ~ +55°C / 14° ~ +131°F
Storage Temperature	-10° ~ +55°C / 14° ~ +131°F
Operating Humidity	0 to 95% non-condensing
Mean Time Between Failure (MTBF)	> 100,000 Hours

Mechanical

Dimensions Compact (L x W x H)	76mm x 70mm x 25mm (2.98" x 2.76" x 0.98")
--------------------------------	---

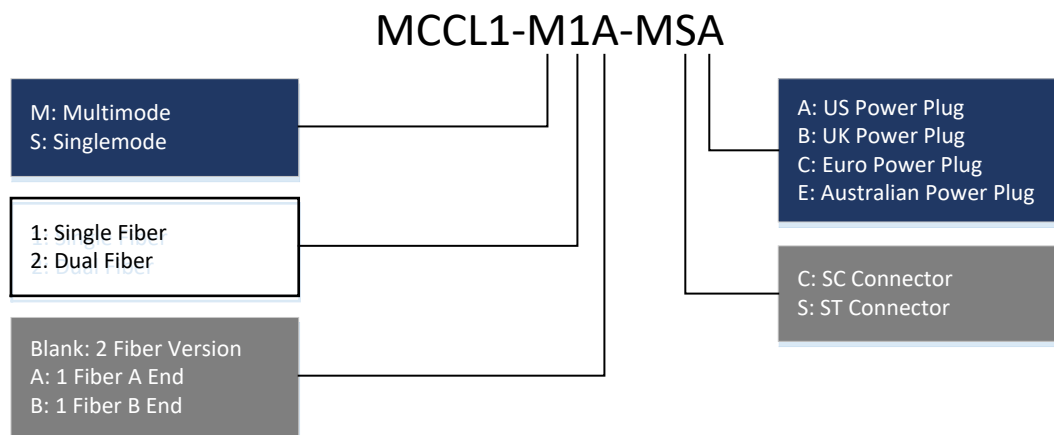
Connectors

10/100 Electrical Fiber ⁽²⁾	RJ-45 SC or ST
---	-------------------

Others

Cable LEDs Warranty	CAT5 or CAT6, direct or cross cable Connection status and data sending & receiving 2 years
---------------------------	---

Part Number Configurator



1. Transmission distance is limited by optical loss of the fiber and loss introduced by connectors, splices and patch panels. Fiber bandwidth also limits the transmission distance.
2. Please select the power plug from US Standard, Euro 2 Circular, UK 3 Pin square or Australian Standard when placing order.
3. Please select the fiber connector when placing order.

Due to ongoing technological improvements, product specifications are subject to change without notice. KBC is not liable for any errors, omissions or changes of any description of the goods contained herein. This information is for the sole purpose of identifying the products and KBC makes no warranty that the products conform to any description contained herein. Do not rely solely on any representations, statements, or assertions concerning these Products contained herein.