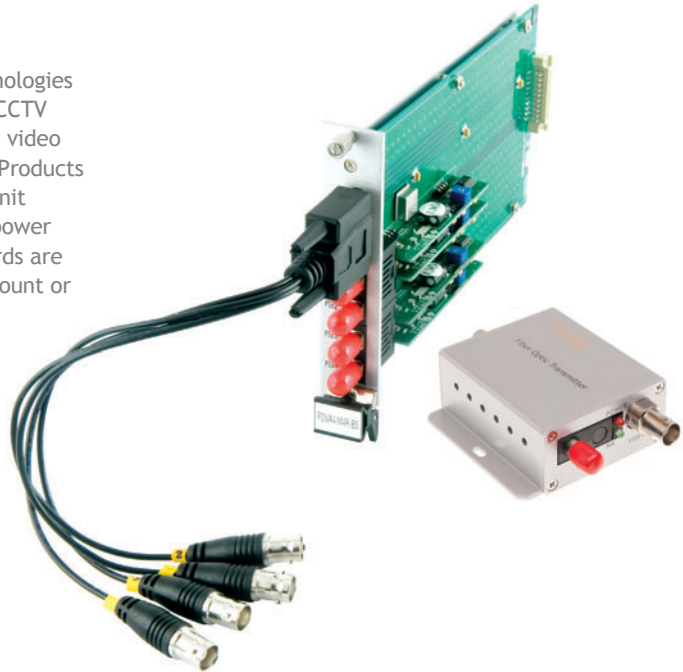




Product Description

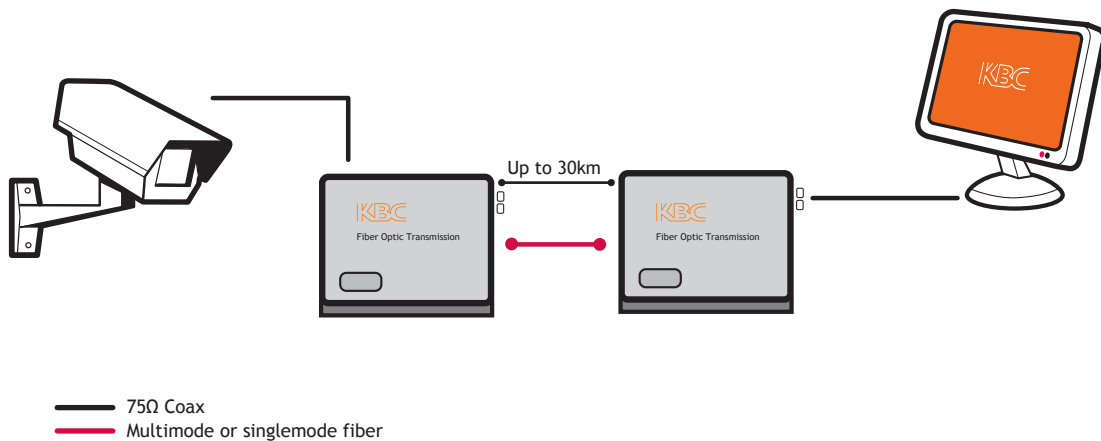
The KBC FDVA series uses the most advanced digital technologies to provide excellent repeatable performance for today's CCTV systems. It supports transmission of one analog composite video channel over one multimode or singlemode optical fiber. Products with one, two or four individual modules within a single unit are available, offering substantial savings in racking and power requirements on site. PAL, NTSC and SECAM video standards are fully supported. The series is available in compact wall-mount or 3U chassis card.



Product Features

- 8 or 10 bit digitally-encoded, non-compressed video transmission
- Multimode and singlemode solutions
- Unique 4 channel wall-mount and 3U card module
- Up to 56 receivers in one 3U chassis

Typical System Configuration



Specifications

Video

No. of Channels ⁽¹⁾	1	
Format	PAL / NTSC / SECAM	
Input/Output	1.0V pk-pk typical, 75Ω	
Bandwidth	5 Hz - 6.5 MHz	
Digital Encoding (non compressed)	8 bit	10 bit
Differential Gain (10-90% APL)	<2.0%	<2.0%
Differential Phase (10-90% APL)	<2.0°	<1.0°
SNR	>60dB	>67dB

Optical

Wavelength	1310nm	
Fiber	Multimode or Singlemode	
Number of Fibers	1	

Power

Power Input ⁽²⁾	Compact	12-24 Vac/dc @ 120mA
	Wall-mount	12-24 Vac/dc @ 400mA
Power Supply ⁽³⁾		Input: 100 - 240 Vac
		Output: +12 Vdc
		UL and cUL listed PSU
Chassis Card		Supplied from FR3 PSU

Environmental

Operating Temperature	-40° - +74° C / -40° - +165° F
Storage Temperature	-40° - +74° C / -40° - +165° F
Operating Humidity	0 to 95% non-condensing
Mean Time Between Failure (MTBF)	>100,000 Hours

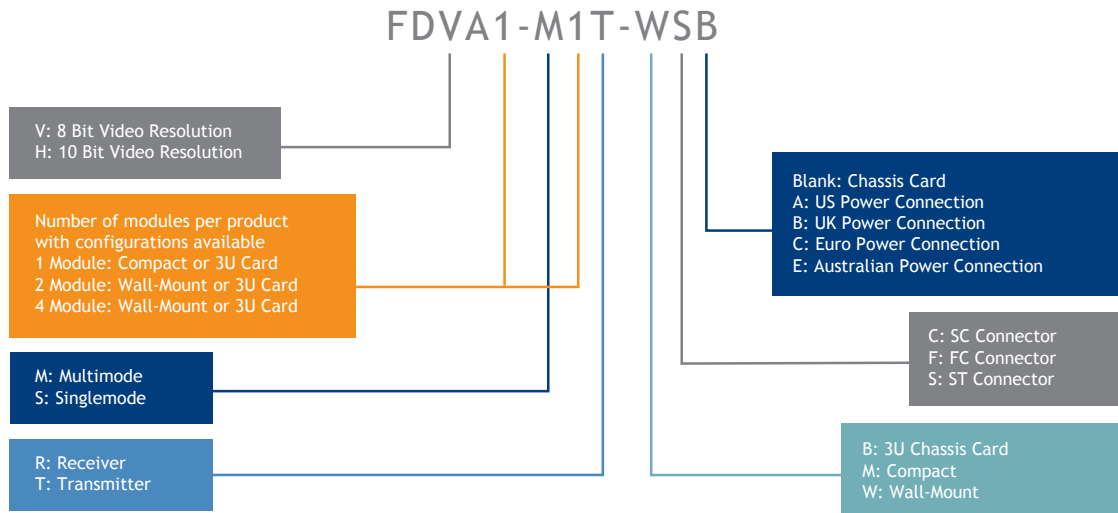
Mechanical

Dimensions	(Compact L x W x H) ⁽⁷⁾	70mm x 58mm x 28mm (2.8" x 2.3" x 1.1")
	(Wall-mount L x W x H)	155mm x 90mm x 36mm (6.1" x 3.5" x 1.4")
Number of 3U Chassis Card Slot ⁽⁴⁾		1

Connectors

Video	BNC 75Ω
Fiber	ST, SC or FC (ST fitted as standard)
Power ⁽⁵⁾	Screw Block Terminal (for Compact and wall-mount)

Part Number Configurator



Optical Budget

Part Code	Fiber Type	No.	Optical Budget			Wavelength nm	Approximate Transmission Distance ⁽⁶⁾
			50µm	62.5µm	9µm		
FDVA1-M*	Multimode	1	8dB	12dB		1310	0-4km
FDVA1-S*	Singlemode	1			15dB	1310	0-30km

Transmission distances up to 120km are available please contact KBC Networks for details. All KBC Networks optical transmitters are LASER based.

- There can be more than 1 module on a product configuration. Please refer to part number Configurator for number of modules available.
- Current draw for 12 Vdc supplied units: 400 mA for single and dual module units, 800 mA for quad module unit.
- Please select the power plug from US Standard, Euro 2 Circular or UK 3 Pin square when placing order.
- Supports maximum of up to 14 single slot cards in each 3U Chassis.
- Power lines are crimped and fitted to screw block connector in factory.
- Transmission distance is limited by optical loss of the fiber and loss introduced by connectors, splices and patch panels. Fiber bandwidth also limits the transmission distance.
- Product body dimensions. Please contact KBC Networks for product drawing⁽⁷⁾ and dimensions of mount

Due to ongoing technological improvements, product specifications are subject to change without notice. KBC is not liable for any errors, omissions or changes of any description of the goods contained herein. This information is for the sole purpose of identifying the products, and KBC makes no warranty that the products conform to any description contained herein. Do not rely solely on any representations, statements, or assertions concerning these Products contained herein.