



Product Description

The KBC FDVA8 series uses the most advanced digital technologies to provide excellent, repeatable performance for today's CCTV systems. It supports transmission of up to eight analog composite video channels over one multimode or Singlemode optical fiber. PAL, NTSC and SECAM video standards are fully supported. The plug-and-play design ensures ease of installation with no electrical or optical adjustment needed. LED indicators are provided to clearly show the operational status of the unit.

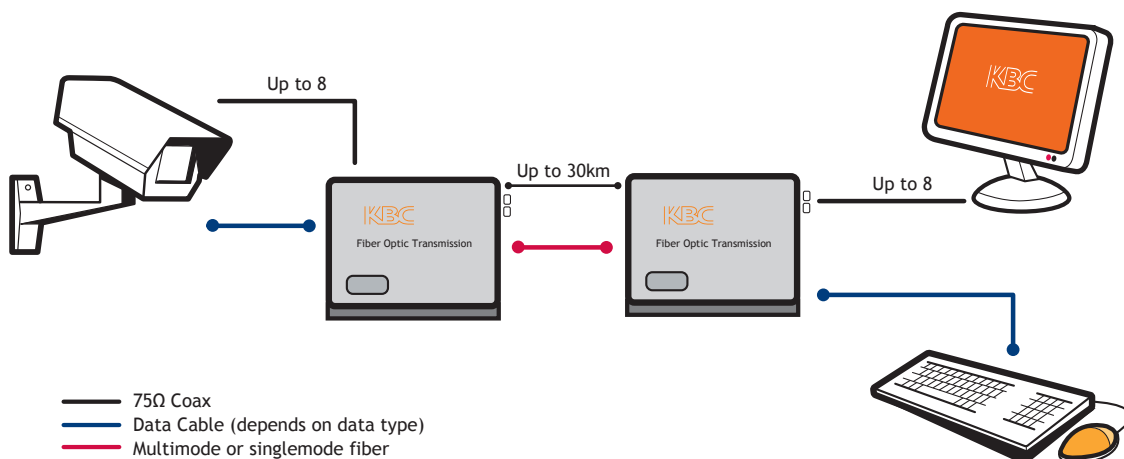
The series is available in wall mount or 3U chassis card.



Product Features

- 8 or 10 bit digitally encoded non-compressed video transmission
- Multimode and singlemode solutions
- LED indicators provide quick diagnosis of all important system parameters
- Wall mount and 3U chassis card configurations
- Wide optical dynamic range. No adjustment is required

Typical System Configuration



Specifications

Video

No. of Channels	8
Format	PAL / NTSC / SECAM
Input/Output	1.0V pk-pk typical, 75Ω
Bandwidth	5 Hz - 6.5 MHz
Digital Encoding (non compressed)	8 bit 10 bit
Differential Gain (10-90% APL)	<2.0% <2.0%
Differential Phase (10-90% APL)	<2.0° <0.7°
SNR	>60dB >67dB

Optical

Wavelength	1310nm
Number of Fibers	1
Fiber	Multimode or Singlemode

Power

Power Input Wall-mount	+12Vdc
Power Supply ⁽¹⁾	Input: 100 - 240 Vac Output: +12 Vdc UL and cUL listed PSU Supplied from FR3 PSU
Chassis Card	

Environmental

Operating Temperature	-40° - +74° C / -40° - +165° F
Storage Temperature	-40° - +74° C / -40° - +165° F
Operating Humidity	0 to 95% non-condensing
Mean Time Between Failure (MTBF)	>100,000 Hours

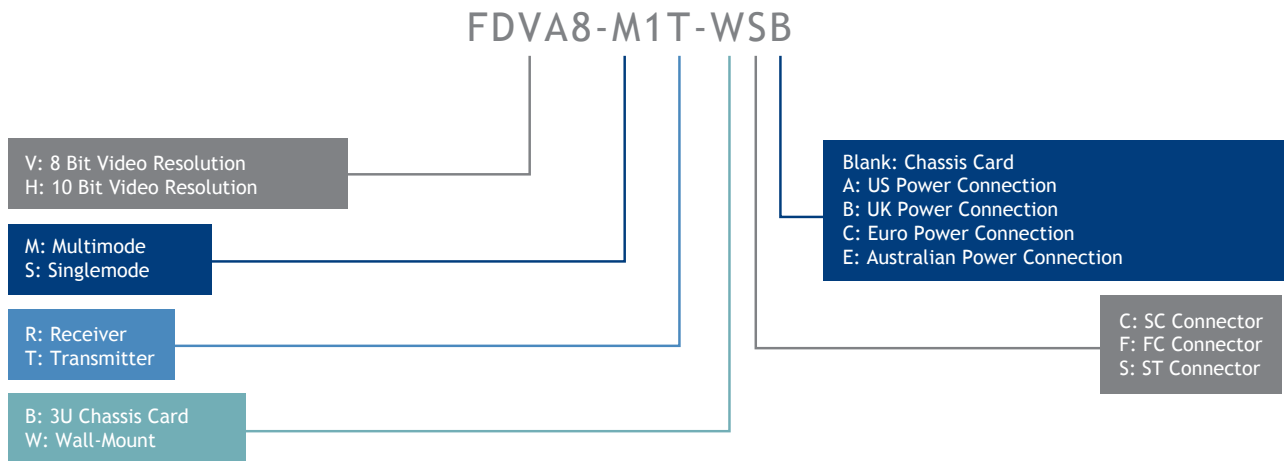
Mechanical

Dimensions (Wall-mount L x W x H)	222mm x 155mm x 56mm (8.74" x 6.22" x 1.42")
Number of 3U Chassis Card Slot ⁽³⁾	2

Connectors

Video	BNC 75Ω
Fiber	ST, SC or FC (ST fitted as standard)
Power	Screw Block Terminal (Wall-mount)

Part Number Configurator



Optical Budget

Part Code	Fiber Type	No.	Optical Budget			Wavelength nm	Approximate Transmission Distance ⁽⁴⁾
			50µm	62.5µm	9µm		
FDVA8-M*	Multimode	1	8dB	12dB		1310	0-1km
FDVA8-S*	Singlemode	1			12dB	1310	0-30km

Transmission distances up to 120km are available please contact KBC Networks for details. All KBC Networks optical transmitters are LASER based.

- RS232, RS422 and RS485 are field selectable
- Data rates up to 1Mbps available, please contact KBC Networks for details.
- Please select the power plug from US Standard, Euro 2 Circular or UK 3 Pin square when placing order.
- Supports maximum of up to 14 single slot cards in each 3U Chassis.

Due to ongoing technological improvements, product specifications are subject to change without notice. KBC is not liable for any errors, omissions or changes of any description of the goods contained herein. This information is for the sole purpose of identifying the products, and KBC makes no warranty that the products conform to any description contained herein. Do not rely solely on any representations, statements, or assertions concerning these Products contained herein.