

Quick Start Guide EECF16-GN3-R-RX-B

EoC Receiver - 16 BNC and 3 RJ45 with PoC management

Introduction

The EECF16-GN3-R is an Ethernet over Coax (EoC) switch with 16 coax ports with Power Over Coax (PoC) and 3*10/100/1000M Ethernet ports. This switch provides connectivity up to 16 units PoC/PoE version EECF1-LS1-T-IN-B or EECF1-LS1-T-MN-B transmitter. Power is supplied to the transmitter through the coaxial cable. Varying data rates are supported depending on cable distance and quality. This product also provides PoC management which allows the operator to remotely switch power on or off to any of the coax channels. Plug-and-play design ensures ease of installation with no electrical adjustment needed. LED indicators are provided to show the operational status of the unit clearly.

This switch is available in 1U rack configuration.

Features

- 16 coax ports with PoC
- 3 *10/100/1000M Ethernet ports (1 at the front and 2 at the back)
- PoC management
- Full switching capability
- Connect up to 16 units EECF1-LS1-T-IN-B , EECF1-LS1-T-MN-B or any combination
- Coax data rate >50Mbps (300m)
- PoE+ is supported up to 300m based on coax quality and applied voltage to coax (48-57VDC)
- Over current and short circuit protection
- Unique PoC transmission protection design so that no power is output when transmitter end is not connected.

Downloads

Full specifications, features and additional information can be found on the relevant product page on the KBC website as well as in the downloads section: <http://www.kbcnetworks.com/downloads>

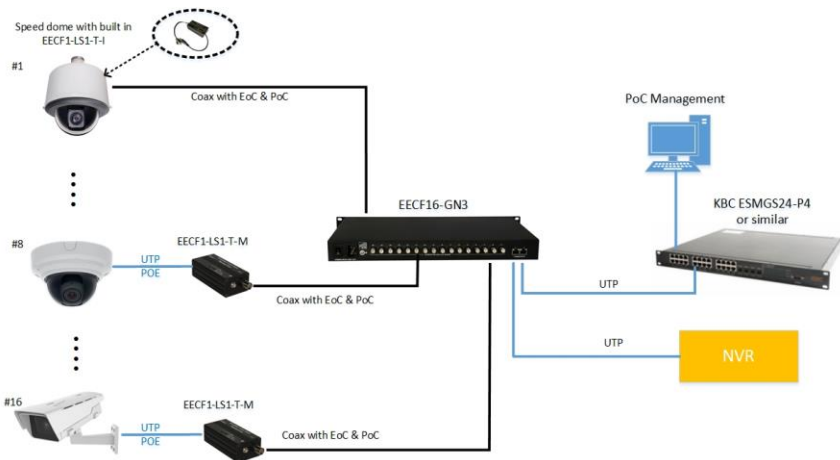
General

Check the product upon receipt for any visible damage which may have been caused during shipping.

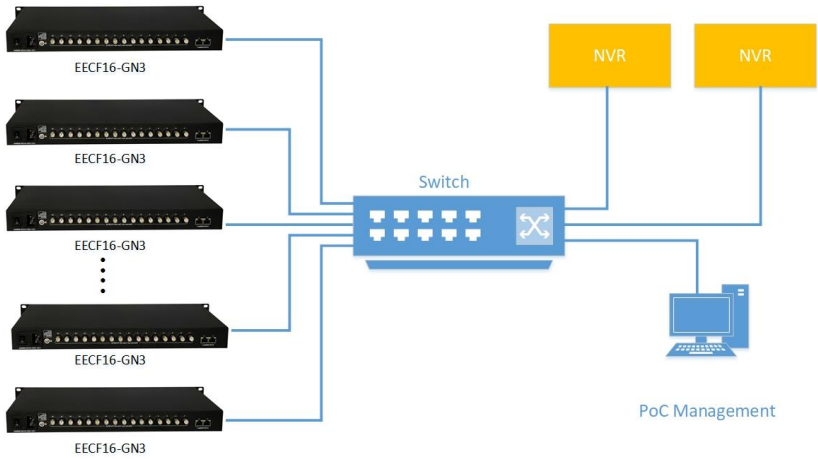
Physical Deployment

This equipment must be installed and operated in accordance with instructions found in this document. Failure to comply with these instructions will invalidate warranty.

Application



Typical Connection between Camera end and head end

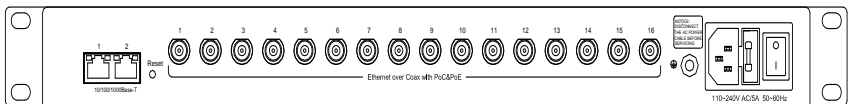


Typical application in head end

Panel views



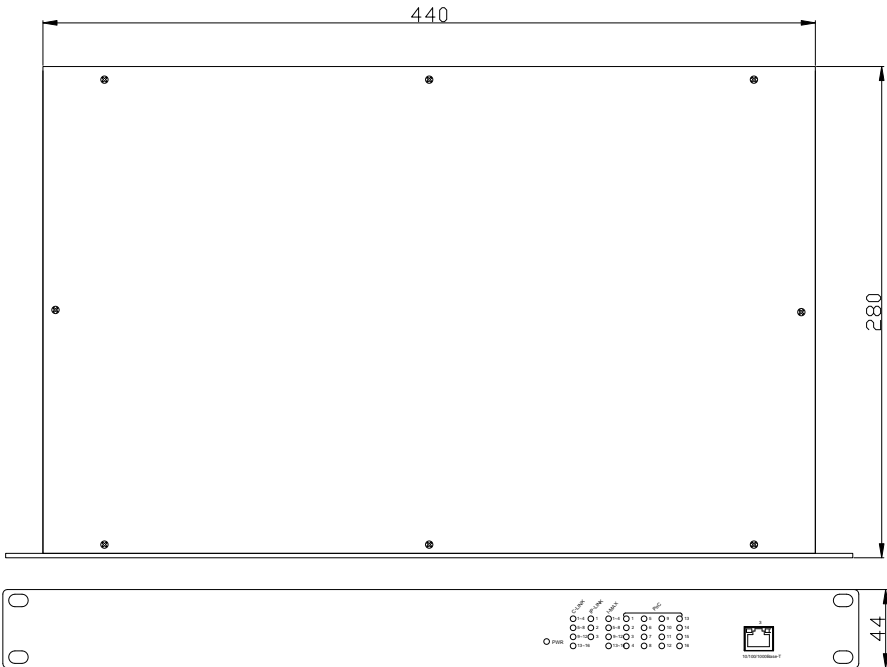
Front Panel



Rear Panel

	Color	Status	Description
PWR	Green	On	Power supply is normal.
IP-LINK	Green	On	3*10/100/1000M Network link is normal.
C-LINK	Green	On	EoC connection is normal.
I-MAX	Green	On	When the total power of 4 channels more than 175W.
PoC1~16	Green	On	PoC power on.

Dimensions (Unit = mm)



Specifications

Items		Description
Power	Power supply	110-240VAC/5A
	Consumption	500W (with PoC)
Cable	Transmission Medium	75-5 or above coaxial cable and Cat5e/6 cable
	Operating frequency	2M-28M
	Modulation	Wavelet-OFDM
	Transmission rate	210Mbps (Max.)
	Power negotiation cycle	1S
	Overcurrent	720mA
	Overcurrent protection time	<2mS
	Transmission distance	500m
	Ethernet Port	RJ45
SFP(optional)		1G
Transmission medium		Cat5e/6
Standard		IEEE802.3, IEEE802.3U
Ethernet delay		<1mS
Protection	ESD	IEC61000-4-2
	Anti-thunder protection	IEC61000-4-5 level 3
Operation Environment	Operating temperature	-20°C~+50°C
	Storage temperature	-40°C~+85°C
	Humidity (No-Condensing)	0-90%
Mechanical	Dimension (L×W×H)	280mm*440mm*44mm
	Material	Aluminum
	Color	Black
	Weight	1.6Kg

Installation Instructions

Please check the following items before installation. If any missing, please contact the dealer.

- EoC receiver----- x1
- Power cable----- x1
- QSG/User manual----- x1

Please follow the installation steps below:

- 1) Fixed the receiver to the 19” rack;
- 2) Use the network cable to connect the RJ45 port of receiver and other Ethernet equipment, connect the coaxial cable to the BNC port of the receiver, and use a grounding wire to connect the grounding terminal;
- 3) Check if the installation is correct, power on the device and make sure it operating normally.

Trouble Shooting

Please refer to the following information if the device does not work:

- Please confirm if the installation is done according to factory installation requirements;
- Please confirm if the RJ45 cable order is in accordance with the EIA/TIA568A or 568B industry standards;
- The maximum transmission distance depends on the signal source and cable quality. Please do not exceed the maximum transmission distance;
- Please replace the failed device with a proper one to check if the device is damaged; If the problem still exists, please contact the dealer.

Warranty Information

KBC Networks extends the Limited Warranty to the original owner/purchaser of this product in according to the Warranty Policy posted in KBC Networks’ website at www.kbcnetworks.com.

KBC Networks extends the following Limited Warranty to the original owner/purchaser of this product: if this product, or any part or portion thereof, shall prove upon examination by KBC Networks, to be defective in material or workmanship, KBC Networks will repair or replace such part or portion at KBC Networks’ option. The warranty period on the repaired or replaced part or portion of this product shall be limited to the unexpired term of the original warranty. The buyer shall be responsible for all shipping and transportation of the product to KBC Networks for any performance under this warranty.

Conditions and Exceptions:

a) Any accident to this product, any misuse or abuse, alternation, use in modified form, or any attempt to repair this product shall void this warranty. These conditions to the warranty include, but are not limited to, incorrect power connections, physical damage due to mechanical shock, exposure to moisture, and circuit modification;

b) Should this product prove defective following purchase, the buyer, not the manufacturer, distributor, or retailer, assumes the entire cost of all servicing or repair, except as otherwise provided by the terms of this warranty;

c) For breach of any written or implied warranty on this product, the buyer is limited to the following damages:

- i. The cost of labor to repair or replace defective parts or portions of this product, and
- ii. The cost of the repaired or replaced parts or portions of this product;

d) No other expressed or implied warranties have been made or will be made on behalf of KBC Networks with respect to the sale, repair, installation, operation, or replacement of this product. KBC Networks disclaims any implied warranty of merchantability of this product or its fitness for any purpose, and the buyer agrees that this product is sold “as is” and that the entire risk of the quality and performance of this product is with the buyer, except as otherwise provided by the terms of this warranty;

e) Some states/jurisdictions do not allow exclusions or limitations of incidental or consequential damages, or limitations on how long an implied warranty lasts, so the above exclusions or limitations may not apply to you;

f) If you do not wish to be bound by any of the provisions in this warranty, please return the product(s) immediately.

This warranty does not apply in Australia.

Contact KBC Networks at info@kbcnetworks.com regarding return authorization for out of warranty repairs and any further product information.

This warranty does not apply in Australia.